

**2400-2500 MHz 120° X-POL**
**Model:PS2400-13-120X-2N**
**Electrical Data**

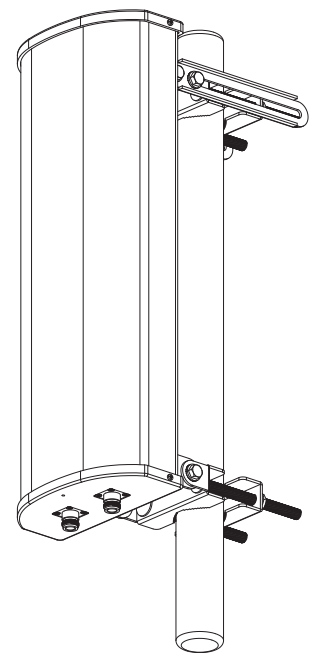
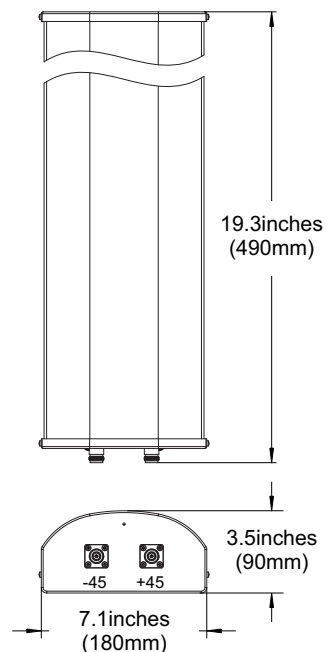
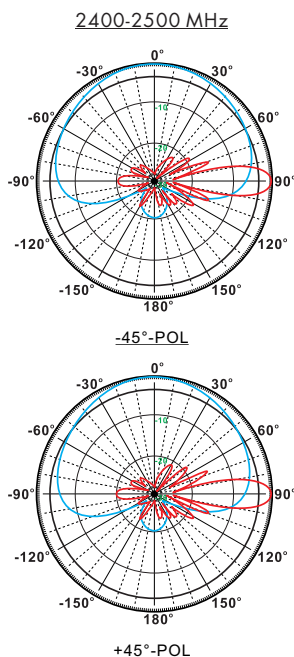
Frequency:	2400-2500 MHz
Gain:	13 dBi
VSWR:	<1.5:1
Polarization:	±45°
Horizontal Beamwidth:	120°
Vertical Beamwidth:	15°
Front-to-back ratio :	>20dB
Isolation:	>30dB
Cross-polar ratio:	>15dB (±60°≥10)
Impedance:	50 Ohms
Max Input Power:	100W
Lightning Protection:	DC Ground

**Mechanical Data**

Connector :	2*N Female
Connector position:	Bottom
Dimensions:	490*180*90mm
length*width*height	19.3*7.1*3.5in
Weight:	2.5kg/5.5lb
Radome Material:	UV Resistance PVC
Mounting Method:	Mast
Mast Size:	Ø40-Ø70mm
Rated Wind Velocity:	210km/h
Operating temperature:	-40~+65℃

**Shipment Data**

Packing Qty:	1pc/Carton
Carton Size:	530*245*210mm
(length*width*height)	20.9*9.6*8.3in
Packing Weight:	2.8kg/6.2lb



Installation Guide

Model:PS2400-13-120X-2N

